



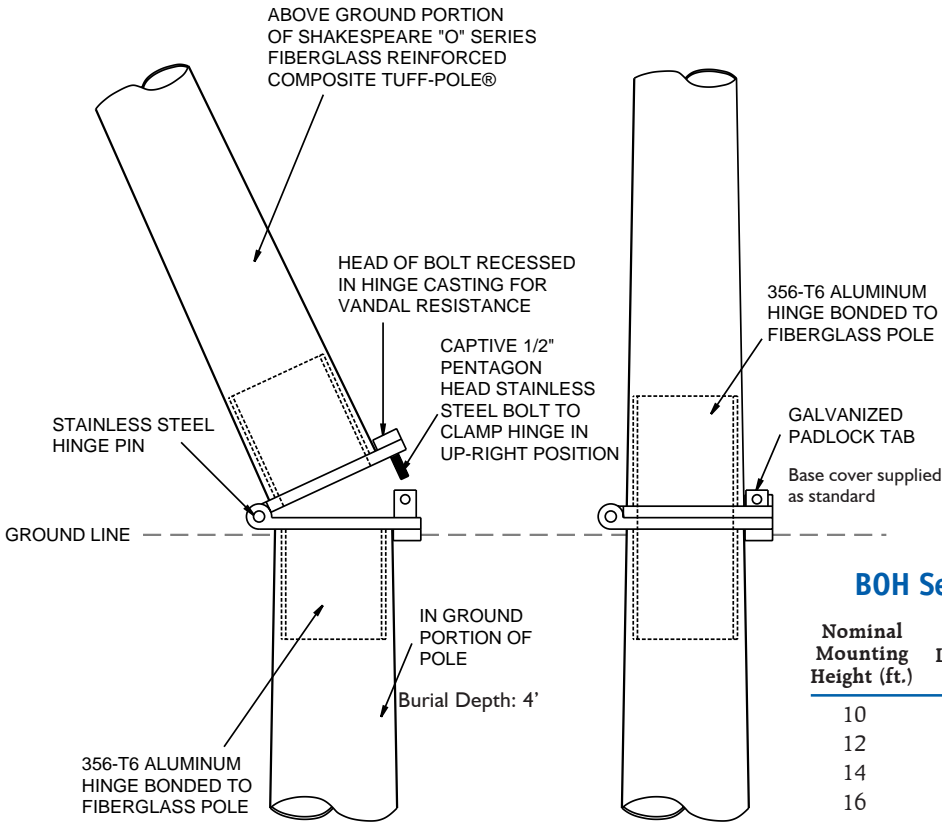
Tuff-Hinge



HINGED BASE COMPOSITE POLES

**BEAUTIFULLY DURABLE,
EASILY SERVICED**

BOH Series Tuff-Hinge Direct Burial Poles



HOW TO ORDER

BOH Series Hinge Base Direct Burial Poles

Nominal Mounting Height (ft.)	Shaft Length (ft.)	Top Dia. (in.)	Suggested Maximum Loading			Basic Catalog Number
			80MPH EPA	90MPH EPA	100MPH EPA	
10	14	5.5	19.0	14.6	11.4	BOH14
12	16	5.2	16.0	12.1	9.3	BOH16
14	18	5.0	14.0	10.4	7.9	BOH18
16	20	4.7	8.0	5.9	4.4	BOH20
18	22	4.0	7.2	5.2	3.8	BOH22
20	24	4.1	6.6	4.6	3.3	BOH24

Shakespeare Tuff-Hinge Composite Poles Catalog Number Template

Catalog Length (feet)
= Mounting Height + 4'

Luminaire Mounting
01=3" Tenon (1¹/₁₆" min. ID x 3³/₄" long)
02=2³/₁₆" Tenon (1¹/₁₆" min. ID x 3³/₄" long)
08=Capped and predrilled for single Shakespeare 8' to 14' arm
99=Other (specify)

BOH 14 - 01 - N5 - BE - 08

Tuff-Hinge Pole

Finish
N=Natural · S=Smooth

Color	Natural	Smooth
Black	N1	S1
Gray	N2	S2
Brown	N3	S3
Green	N4	S4
Dk Bronze	N5	S5
Silver	N6	S6
White	N7	S7
Ant. Grn.	N8	S8
Premium or Custom (specify)	N9	S9

Conductor Entrance, Size and Location

	1 ea. 2 1/4"	2 ea. 2 1/4"	1 ea. 2 1/2"x6"	2 ea. 2 1/2"x6"
	Grommeted		No Grommet	
NONE	01	01	01	01
12"	38	39	42	43
24"	08	09	12	13
Other (specify)	99	99	99	99

Handhole (with removable cover)
AA=none
BE=2 1/2"x5" Oval 66" from base of pole
BZ=Other (specify)



19845 Highway 76 · Newberry, SC 29108
803.276.5504 · Toll-Free in USA: 800.800.9008 · F/803.276.8940
www.skp-cs.com

A Division of Genlyte Thomas Group, LLC